

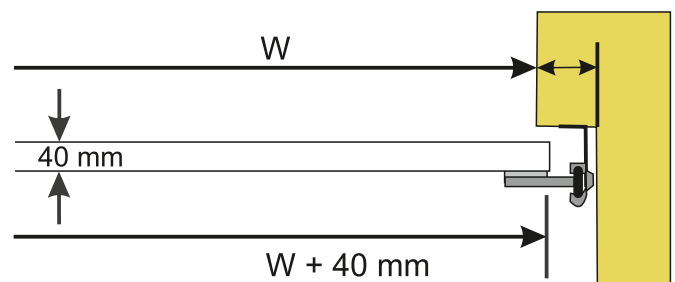
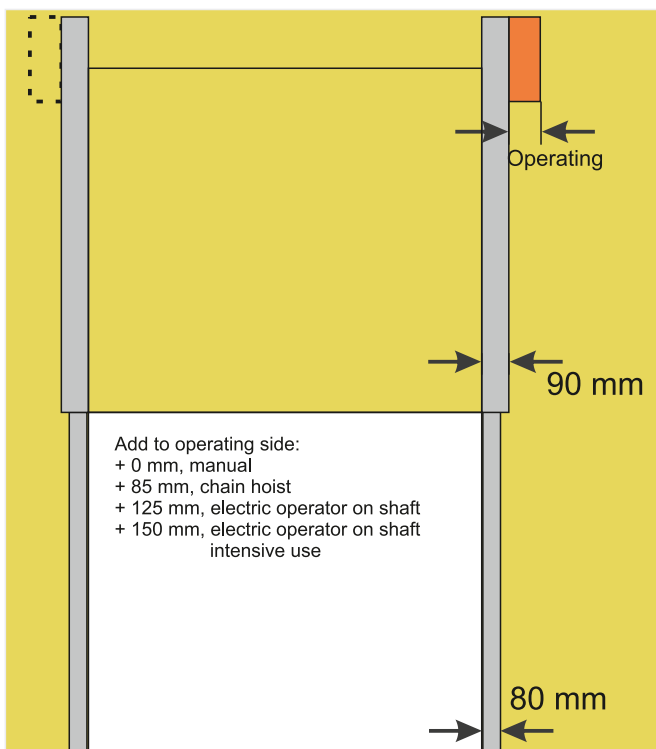
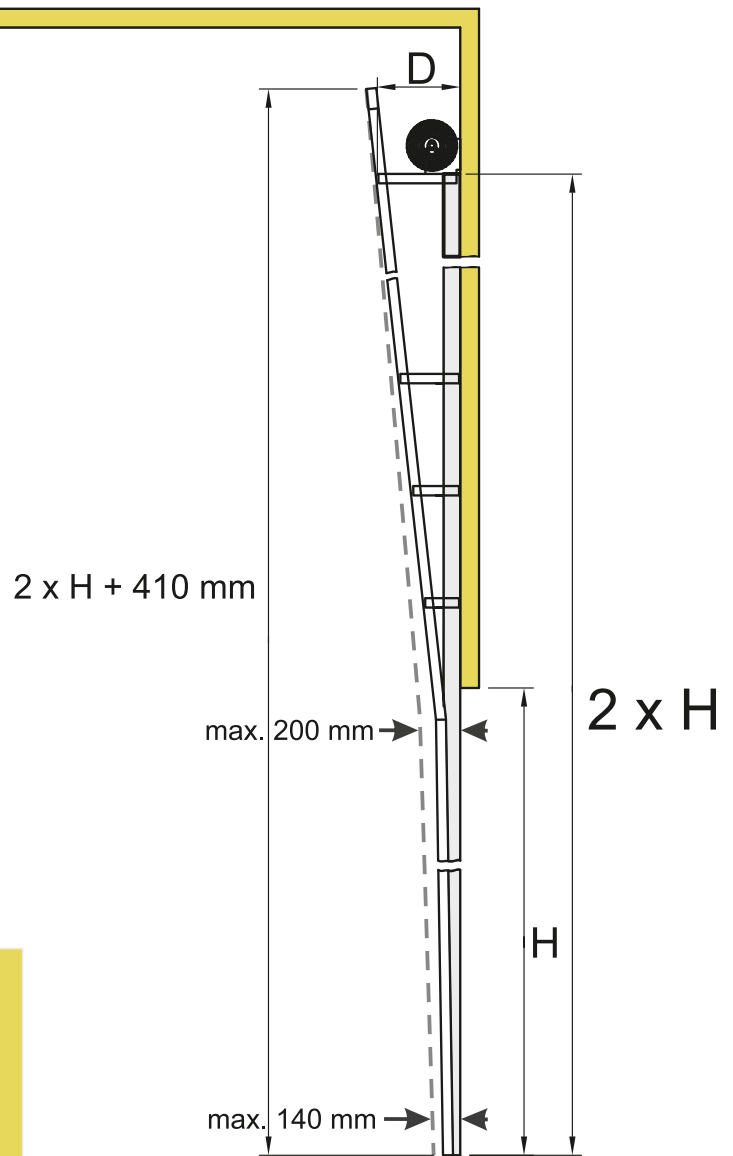
RIPO Industrial doors

VERTICAL LIFT

Dimensions and installation requirements

D = 404 mm, H ≤ 3300 mm

D = 454 mm, H ≤ 6000 mm



RIPO is not liable if the installation is also carried out by third parties. Technical alterations and printing errors reserved